



LITESPHERE 2.0

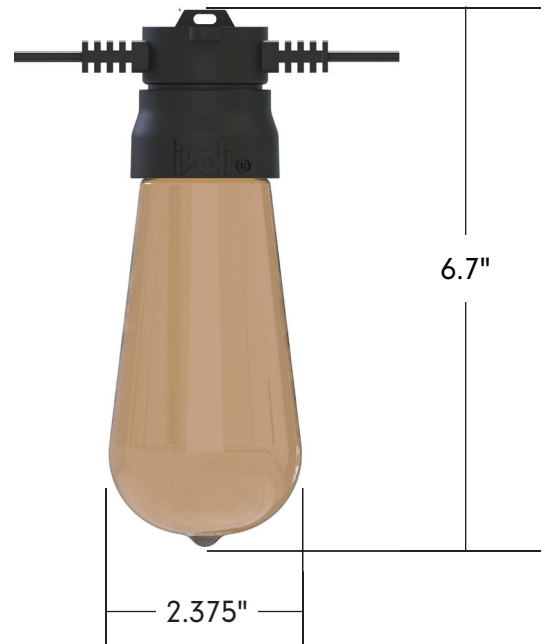
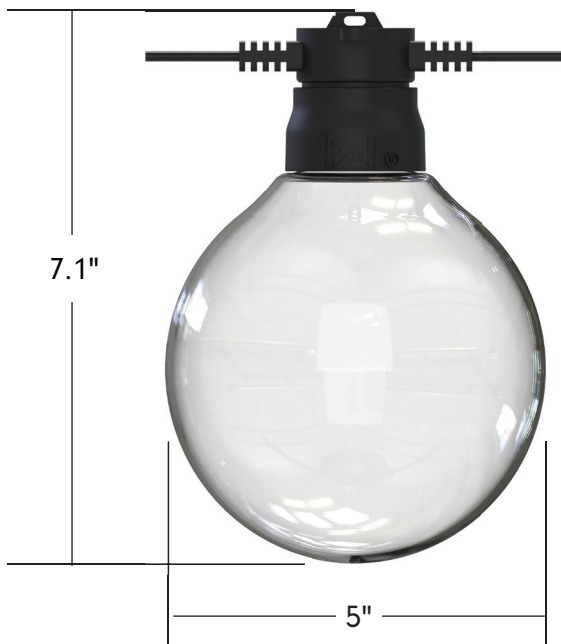
AND



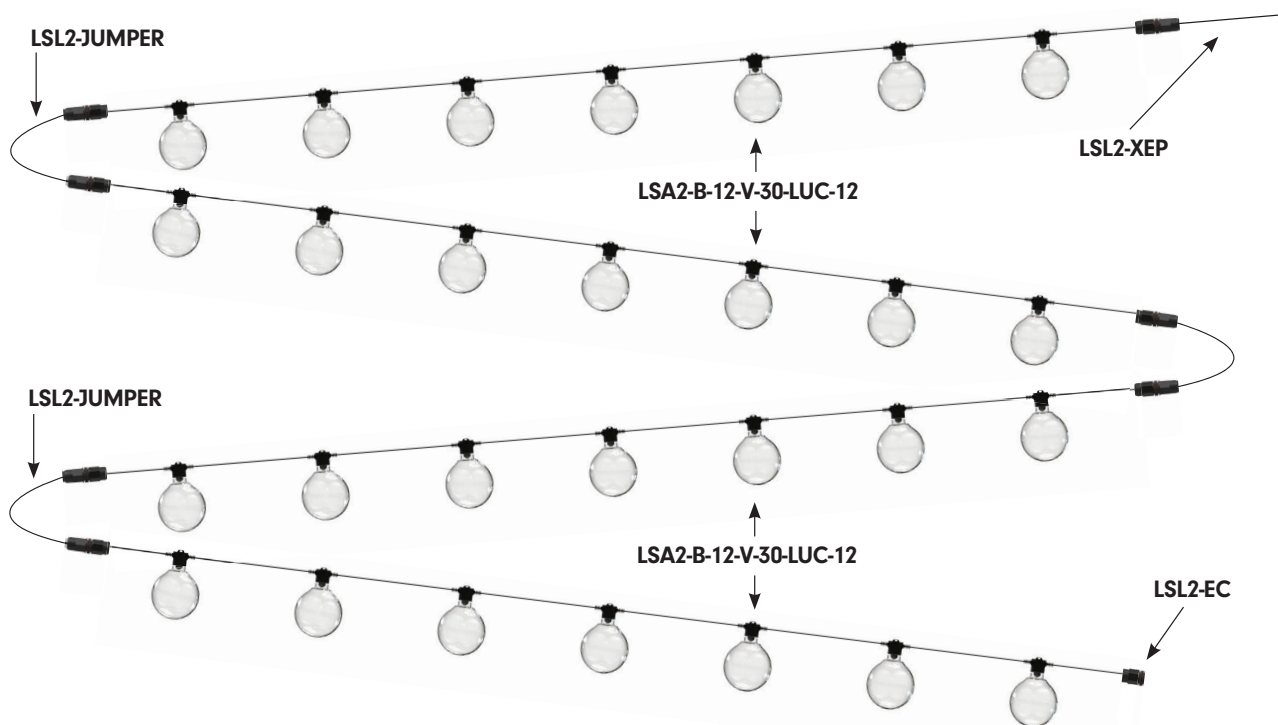
Project: _____ TYPE: _____

- The next evolution of ADAPT delivers a robust specification-grade strand with factory molded standard spacing for consistent quality from start to finish
- Litesphere ADAPT 2.0 design provides optional suspended mounting or a twist-off cap for surface applications
- Available DarkSky option with added light shade
- 12V DC Low voltage system for long runs
- Socket and cord color available in black or white
- Proprietary ADAPT screw base fitting
- Silicone-coated ADAPT glassware for assisting with shatter resistance
- IP67
- cULus
- 3 Year warranty

Dimensions



System Configuration Example



Strand Order Guide

Note: For suspension application, a catenary cable is required for proper installation. Please contact Tivoli for recommendations on unique mounting applications.

Product	Wire	Spacing	LED Type	LED Color	Globe	Light Shade*	Voltage
LSA2 Litesphere ADAPT 2.0	<input type="checkbox"/> B Black <input type="checkbox"/> W White**	<input type="checkbox"/> 12 12" OC <input type="checkbox"/> 18 18" OC <input type="checkbox"/> 24 24" OC <input type="checkbox"/> 36 36" OC <input type="checkbox"/> 48 48" OC	<input type="checkbox"/> V Very High Output	<input type="checkbox"/> 19 1900K <input type="checkbox"/> 27 2700K <input type="checkbox"/> 30 3000K <input type="checkbox"/> 35 3500K <input type="checkbox"/> 40 4000K <input type="checkbox"/> 50 5000K <input type="checkbox"/> AM Amber <input type="checkbox"/> RB Royal Blue <input type="checkbox"/> RD Red <input type="checkbox"/> GN Green <input type="checkbox"/> YL Yellow <input type="checkbox"/> TS Turtle Safe	<input type="checkbox"/> ANA Ana <input type="checkbox"/> VIC** Victoria <input type="checkbox"/> GAB Gaby <input type="checkbox"/> BRE Brenda <input type="checkbox"/> LAU** Laura <input type="checkbox"/> GIN Gina <input type="checkbox"/> ANG Angela <input type="checkbox"/> KAT Katie <input type="checkbox"/> SUS** Susan <input type="checkbox"/> TON** Toni <input type="checkbox"/> LUC** Lucia <input type="checkbox"/> CG** Varied Globes	<input type="checkbox"/> Y Yes <input type="checkbox"/> N No	<input type="checkbox"/> 12 12V DC

*Optional Light Shade are needed to comply with DarkSky requirements. Consult factory for lead time and available style and sizes - see page 7

**Consult Factory for MOQ and Lead Time.

Power Lead Order Guide

Figure A - All Litesphere ADAPT 2.0 are evenly cut between globes according to specified spacing.
 Figure B - Power leads are added to the end cut, extending the total length of the power lead.

LSL2-XEP-X-XX

X = B (Black), W (White)

XX = 05 (5'), 10 (10'), 15 (15'), 20 (20'), 25 (25')

For custom length consult factory

Figure A

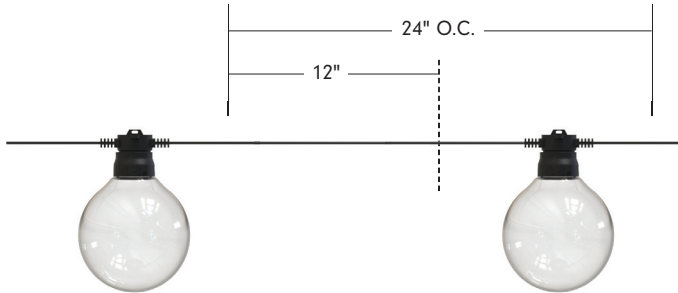
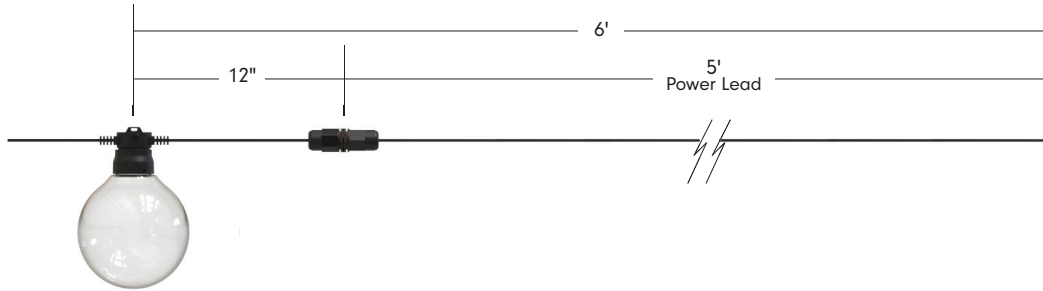


Figure B



Jumper Order Guide

Figure A - All Litesphere ADAPT 2.0 are evenly cut between globes according to specified spacing.
 Figure B - Jumpers are added between the cuts, extending the total length of wire between globes.

LSL2-JUMPER-X-XX

X = B (Black), W (White)

XX = 05 (5'), 10 (10')

For custom length consult factory

Figure A

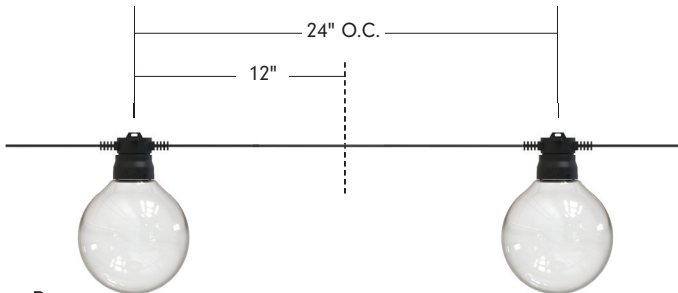
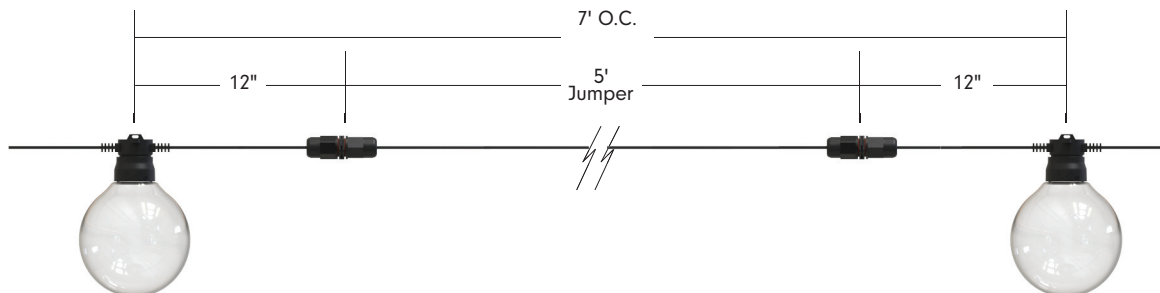


Figure B





Specifications

EPA	12"	18"	24"
G125 Globe Only	0.16	0.09	0.09
ST19 Globe Only	0.09	0.05	0.05
Hat 8"	0.53	0.28	0.28
Hat 13"	N/A	0.71	0.71
Dish 10"	0.82	0.42	0.42
Flower 10"	0.82	0.42	0.42
Flower 13"	N/A	0.71	0.71

Weights (G125 Globe)	12"	18"	24"	36"	48"
lb/ft	0.59	0.55	0.51	0.47	0.44
lb/ft with catenary cable	0.61	0.57	0.53	0.49	0.46
Weights (ST19 Globe)					
lb/ft	0.49	0.45	0.41	0.37	0.34
lb/ft with catenary cable	0.51	0.47	0.43	0.39	0.36

Output - Very High Output	12"	18"	24"	36"	48"
On-Center Spacing	12"	18"	24"	36"	48"
Lumens/ft	90.2	60	45	30	N/A
Watts/ft	.96	.64	.48	.32	.24
Maximum Electrical Run	55'	70'	80'	90'	90'

Electrical	
Input Voltage	12V DC
Power Consumption (W/LED)	0.96

Control	
Control System	0-10V, ELV, MLV, DMX 512 (Dim to 1% with an Infinity power supply and a 0-10V Lutron Diva dimmer)

Physical	
Dimensions	7.1" H x 5" W (G125), 6.7" H x 2.375" W (ST19)
Socket Housing	PVC
American Wire Gauge	14 AWG
Globe	Glass (Shatter resistance assist with silicone coating - Glass may still break under certain conditions)
Mounting	Surface Mount, Suspended
Operating Temperature	-40°C to 65°C (-40°F to 149°F)

Certification and Testing	
Certification	cULus
Environment	Wet Location
Lumen Maintenance (L70) Hours	70,000
IP Rating	IP67
Warranty	3 Years

Mounting Options

SURFACE

For surface mount applications, remove the top suspension-plate by turning counter-clockwise until off. Place socket flush against the desired surface and mount using proper screws according to substrate.



SUSPENDED

Suspended mounting will use a combination of LS-CABLE, LS-LOCK with LS-UVZP. Tension the cable wire with our LS-TT (Tension Tool) for desired sag (Please adhere to local city code for suspended application).

Note: For suspension application, a catenary cable is required for proper installation. Please contact Tivoli for recommendations on unique mounting applications.



Mounting Accessories



LS-CABLE-X

X = 60 (60'), 110 (110'), 500 (500')

1/8" Galvanized cable includes (2) cable locks for use with loads up to 200lbs
Note: 500' no locks included



LS-LOCK-X

X = 2 (2 pcs), 4 (4 pcs)

Includes (1) release key
Cable Lock for 1/8" cable, support loads up to 200 lbs.



LS-TT

Cable tensioning tool up to 880lbs with 6:1 gear drive with integral torque gauge controls



LS-UVZP-BK-XX

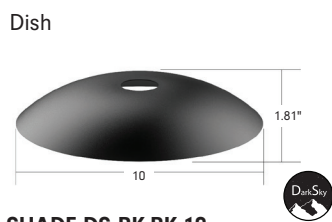
XX = 30 (30 pcs), 50 (50 pcs)
Black UV resistant, heavy duty ties maximum weight up to 100 lbs./per tie

Light Shade Accessories

Note: Light Shade needed for DarkSky compliance



SHADE-HT-BK-XX-XX
XX = BK (black), **CO*** (copper)
XX = 8 (8.3"), **13**** (12.6")
 Black top, black/copper bottom
 Weight: 0.46 lb (10), 1.2 lb (13)



SHADE-DS-BK-BK-10
 10.2"
 Black top, black bottom
 Weight: 0.76 lb



SHADE-FL-BK-BK-XX
XX = 10 (9.8"), **13** (13.8")
 Black top, black bottom
 Weight: 0.63 lb (10), 1.48 lb (13)

*Only available for 13 (Hat) **Consult factory for lead time and MOQ

Replacement Parts



LSA2-LUC-N
 Example part number shown is with NO shade option - Standard adapter applied at factory



LSA2-LUC-Y
 Example part number shown is with YES shade option - Shade adapter applied at factory

PRODUCT CODE	PROFILE	SHADE
LSA2		
LSA2 = Litesphere ADAPT Globe	ANA = Ana ANG = Angela GIN = Gina GAB = Gabby KAT = Katie SUS = Susan* TON = Toni* LUC = Lucia* VIC = Victoria* LAU = Laura* BRE = Brenda*	Y = Yes N = No



LSL-XX-V-12
XX = 19, 27, 30, 35, 40, 50, AM, RD, RB, GR, YL, TS
 12V VHO Wedge Base LED
 Sold each



LSL2-EC-X
X = B (black), **W** (white)
 Litesphere 2.0 End-Cap
 Sold each
LSL2-EC-X-PX20
 Litesphere 2.0 End-Cap
 20 pcs
 Weight: 0.0375 lb

ADAPT Globe

Note: Shatter resistance assist with silicone coating - Glass may still break under certain conditions



LSA-ANA-N
Ana



LSA-ANG-N
Angela



LSA-GIN-N
Gina



LSA-GAB-N
Gaby



LSA-KAT-N
Katie



LSA-SUS-N
Susan*



LSA-TON-N
Toni*



LSA-LUC-N
Lucia*



LSA-VIC-N
Victoria*



LSA-BRE-N
Brenda



LSA-LAU-N
Laura*

In-Wall Controls



Touchscreen

TVOQ-1-WH
White



Touchscreen

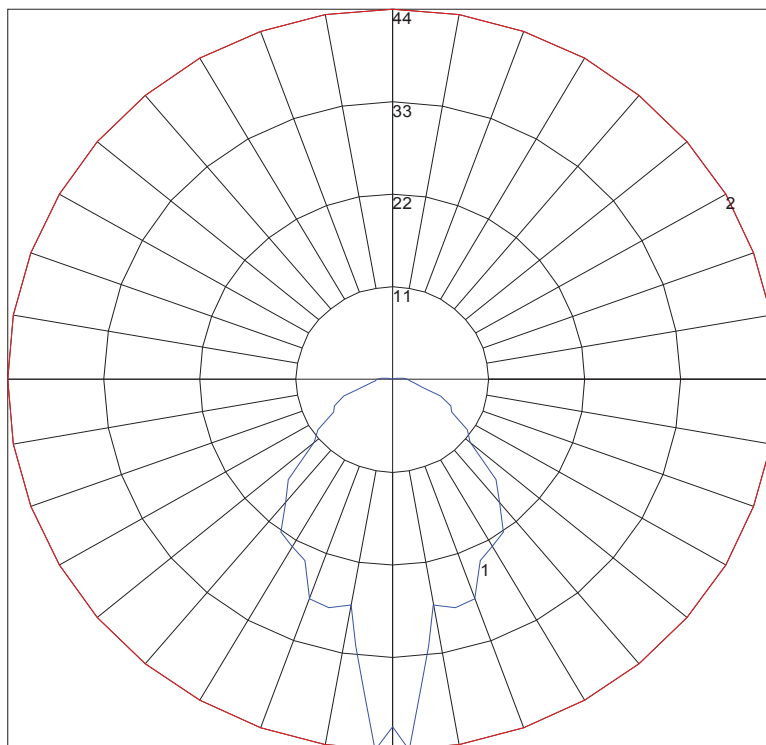
TVOQ-10-XX-7
XX = BK (Black), WH (White)



Touchscreen

TVOQ-2-BK
Black

Photometrics Based on 2700K LED with Lucia globe



Maximum Candela = 44.19 Located At Horizontal Angle = 0, Vertical Angle = 2.5
1 - Vertical Plane Through Horizontal Angles (0 - 180) (Through Max. Cd.)
2 - Horizontal Cone Through Vertical Angle (2.5) (Through Max. Cd.)

Power Supplies

INFINITY - MLV / ELV / 0-10V / PWM / TRIAC

Dim to 1% with a 0-10V Lutron Diva dimmer (by others)

DESCRIPTION	CAT NO	APPLICATION	PRIMARY VOLTAGE	SECONDARY VOLTAGE	CIRCUIT BREAKERS	MAX LOAD	MIN LOAD	CIRCUIT CAPACITY
Infinity Series Class 2 Transformer	INF-J-30-1-2.5-12	Indoor / Outdoor	100 - 277V AC	12V DC	1	30W	3W	2.5A
	INF-J-60-1-5-12				1	60W	6W	5A
	INF-J-180-3-5-12				3	3x60W	3x6W	3x5A
	INF-J-300-5-5-12				5	5x60W	5x6W	5x5A

ADNM - NON DIMMING

DESCRIPTION	CAT NO	APPLICATION	PRIMARY VOLTAGE	SECONDARY VOLTAGE	CIRCUIT BREAKERS	MAX LOAD	CIRCUIT CAPACITY
ADNM Series Class 2 Transformer	ADNM-60-1-5-12-D	Indoor / Outdoor	100-277V AC 50/60 HZ	12V DC	1	60W	5A
	ADNM-80-1-5-12-D				1	60W	5A
	ADNM-150-2-5-12-D				2	2x60W	2x5A
	ADNM-240-3-5-12-D				3	3x60W	3x5A
	ADNM-320-4-5-12-D				4	4x60W	4x5A

ADNM - 0-10V DIMMING

DESCRIPTION	CAT NO	APPLICATION	PRIMARY VOLTAGE	SECONDARY VOLTAGE	CIRCUIT BREAKERS	MAX LOAD	CIRCUIT CAPACITY
ADNM Series Class 2 Transformer	ADNM-60-1-5-12-DOT	Indoor / Outdoor	100-277V AC 50/60 HZ	12V DC	1	60W	5A
	ADNM-80-1-5-12-DOT				1	60W	5A
	ADNM-150-2-5-12-DOT				2	2x60W	2x5A
	ADNM-240-3-5-12-DOT				3	3x60W	3x5A
	ADNM-320-4-5-12-DOT				4	4x60W	4x5A

ADNM - DMX SINGLE ADDRESS

DESCRIPTION	CAT NO	APPLICATION	PRIMARY VOLTAGE	SECONDARY VOLTAGE	CIRCUIT BREAKERS	MAX LOAD	CIRCUIT CAPACITY
ADNM Series Class 2 Transformer	ADNM-60-1-5-12-DIN	Indoor / Outdoor	100-277V AC 50/60 HZ	12V DC	1	60W	5A
	ADNM-80-1-5-12-DIN				1	60W	5A
	ADNM-150-2-5-12-DIN				2	2x60W	2x5A
	ADNM-240-3-5-12-DIN				3	3x60W	3x5A
	ADNM-320-4-5-12-DIN				4	4x60W	4x5A

ADNM - DMX MULTI ADDRESS

DESCRIPTION	CAT NO	APPLICATION	PRIMARY VOLTAGE	SECONDARY VOLTAGE	CIRCUIT BREAKERS	MAX LOAD	CIRCUIT CAPACITY
ADNM Series Class 2 Transformer	ADNM-150-2-5-12-DIN-2	Indoor / Damp	100-277V AC 50/60 HZ	12V DC	2	2x60W	5A
	ADNM-240-3-5-12-din-3				3	3x60W	3x5A